

**BALDOR**  
A MEMBER OF THE ABB GROUP

**BALDOR • RELIANCE**

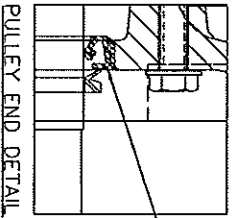
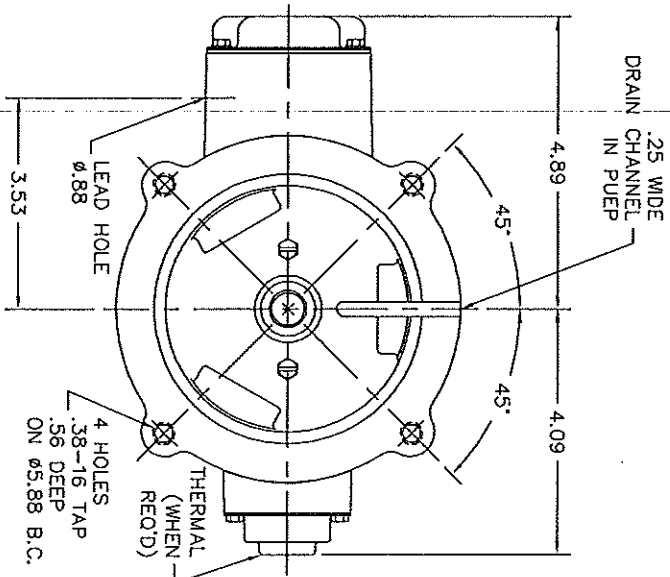
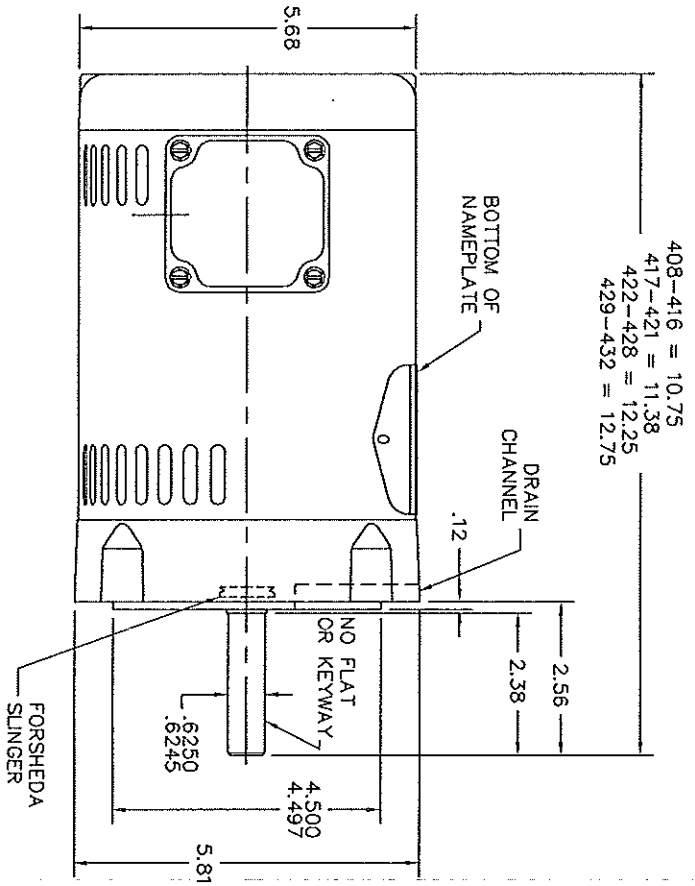
Product Information Packet

WVO DESIGNS

**34L415W303G1**

.33HP,3450RPM,3PH,60HZ,56CZ,3416M,ODP,W8

Part Detail									
Revision:	F	Status:		PRD/A	Change #:		Proprietary:	Yes	
Type:	AC	Prod. Type:	3416M		Elec. Spec:	34WG/W303	CD Diagram:		
Enclosure:	ODP	Mfg Plant:			Mech. Spec:	34L415	Layout:		
Frame:	56CZ	Mounting:	W8		Poles:	02	Created Date:	08-18-2009	
Base:	N	Rotation:	R		Insulation:	F	Eff. Date:	04-04-2011	
Leads:	3#18	Literature:			Elec. Diagram:		Replaced By:		
Nameplate NP2219L									
CAT NO									
SPEC.	34L415W303G1								
FRAME	56CZ			HP		.33 DP			
VOLTS	230								
MAG CUR				FLA		1.4			
RPM	3450			RPM MAX		6000			
HZ	60			PH		3	CLASS	F	
SER.F.	1.00			DES		B	SL HZ	1.2	
NEMA-NOM-EFF	72			WK2		0.015			
BLWR V				PH			HZ		A
RATING		40C AMB-CONT							
DE BRG	6203			ODE BRG		6203			
CC				SER.NO					
	RPC012								



APPLY COAT OF RED SEALER UNDER SCREW HEADS AND AROUND SEAL O.D.

CUSTOMER IS RESPONSIBLE FOR DETERMINING THAT BALDOR'S PRODUCT WILL PERFORM SUITABLY IN THE INTENDED APPLICATION.

REV. LTR: B	VERSION: 02	TDR: 000000718705
REV. DESC: NO CHANGE		REVISED: 10:00:52 11/01/2011
FILE: \AAA\00165\554		BY: ENJRW0
MTL: -		

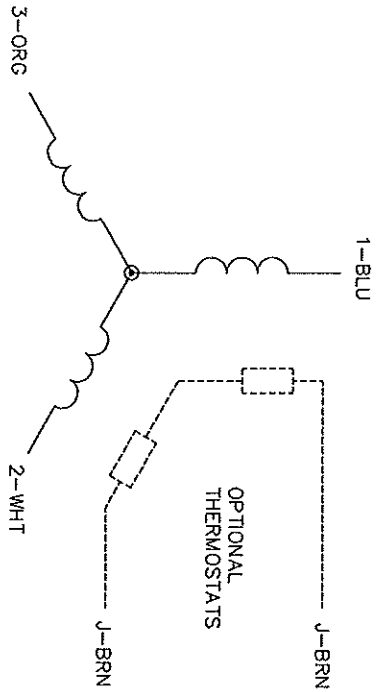
**BALDOR**

VERT 34M 56CZ ODP W/SEAL & FACE DRAIN

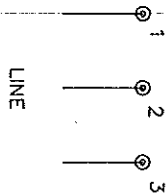
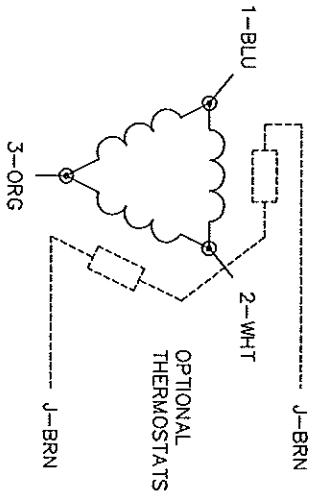
SH 1 of 1

34L415

TYPICAL WYE-CONNECTED MOTOR



TYPICAL DELTA-CONNECTED MOTOR



CD00006

- NOTES:
1. THREE LEAD MOTOR MAY BE EITHER WYE CONNECTED OR DELTA CONNECTED.
  2. INTERCHANGE ANY TWO LINE LEADS TO REVERSE ROTATION.
  3. OPTIONAL THERMOSTATS ARE PROVIDED WHEN SPECIFIED.
  4. ACTUAL NUMBER OF INTERNAL PARALLEL CIRCUITS MAY VARY.
  5. LEAD COLORS ARE OPTIONAL. LEADS MUST BE NUMBERED AS SHOWN.

REV. DESC: REVISE TO SHOW OPTIONAL COLORS			
REV. LTR: D	BY: JLP	REVISED: 01/21/99	4:02
FILE: AAA00005141		TDR: 0171435	
MTL: -		MDL: -	

**BALDOR ELECTRIC CO.**  
3PH, 3V, 3 LEADS, WYE OR DELTA CONNECTED

CD00006